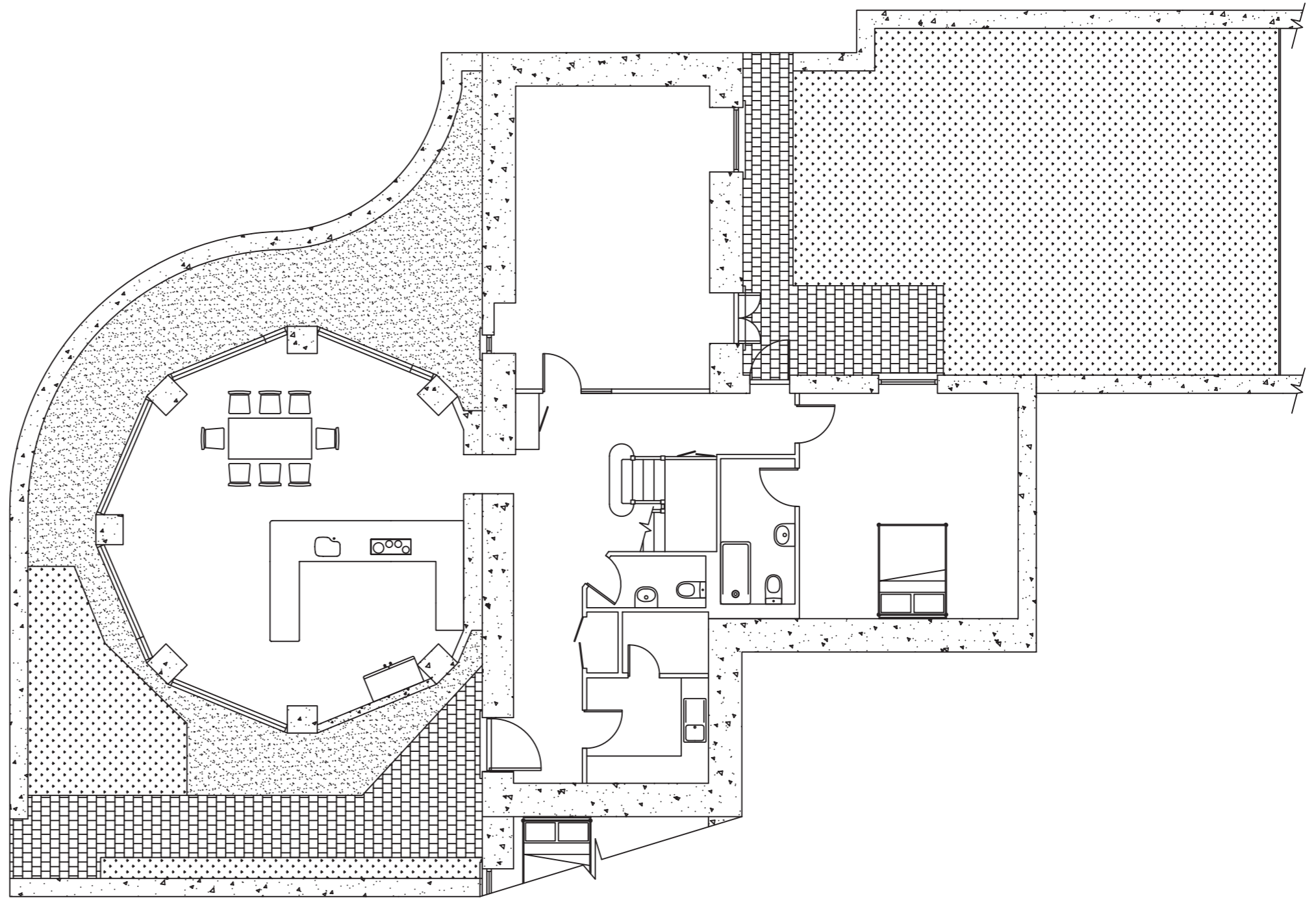
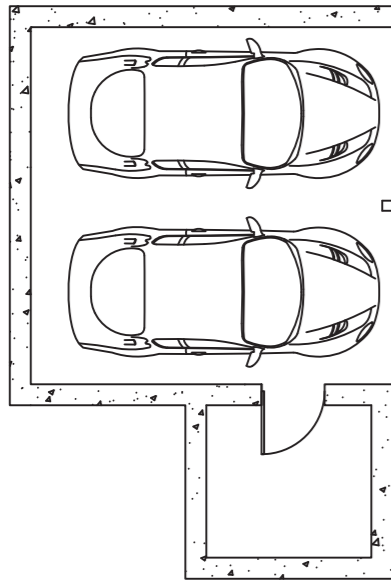




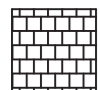
Barfleur House

Ground Floor

Internal Area 256 m² / 2755 sqft
 Exterior Area 164 m² / 1765 sqft



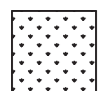
Exterior Stone Walls



Tegula Block Paving



Stone Gravel



Grass

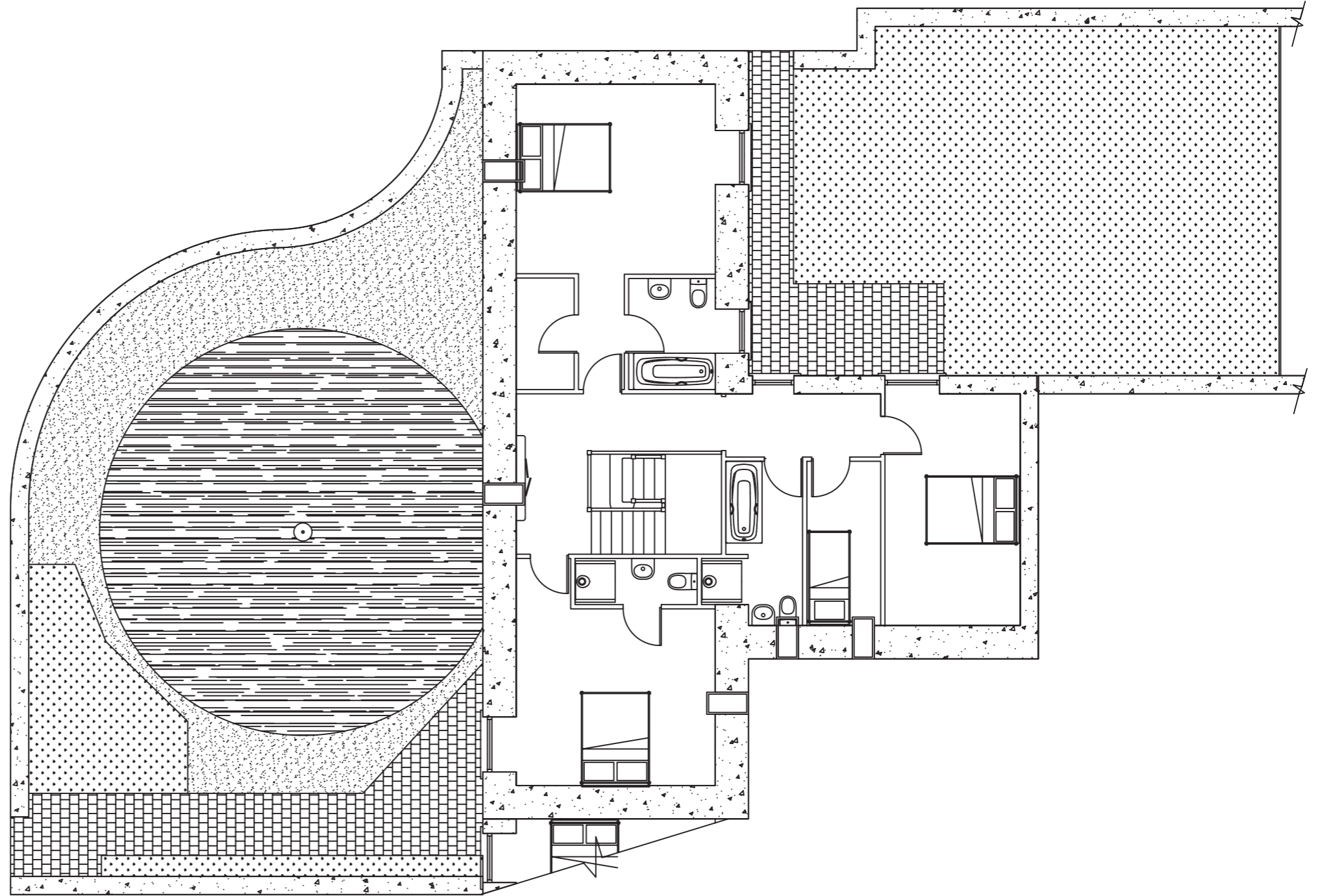
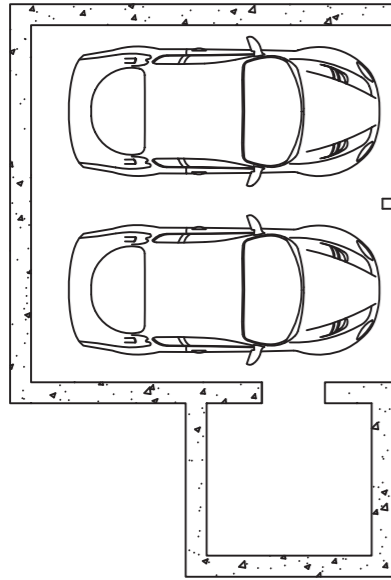
Living Room	6.7 m	4.3 m	Master Bedroom	4.2 m	4.4 m	Bedroom 3	5.1 m	3.0 m
Kitchen	7.8 m	7.8 m	Wardrobe	2.4 m	1.3 m	Bedroom 4	3.6 m	1.6 m
Boiler Room	1.4 m	1.9 m	En-Suite	2.4 m	1.9 m	House Bathroom	3.6 m	1.7 m
W/C Cloaks	1.1 m	2.6 m	Bedroom 2	3.9 m	4.4 m	Bedroom 5	5.1 m	4.8 m
Utility	2.3 m	2.7 m	En-Suite	1 m	2.7 m	En-Suite	3.2m	1.6 m



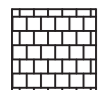
Barfleur House

First Floor

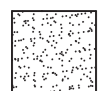
Internal Area 256 m² / 2755 sqft
 Exterior Area 164 m² / 1765 sqft



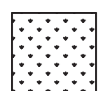
Exterior Stone Walls



Tegula Block Paving



Stone Gravel



Grass

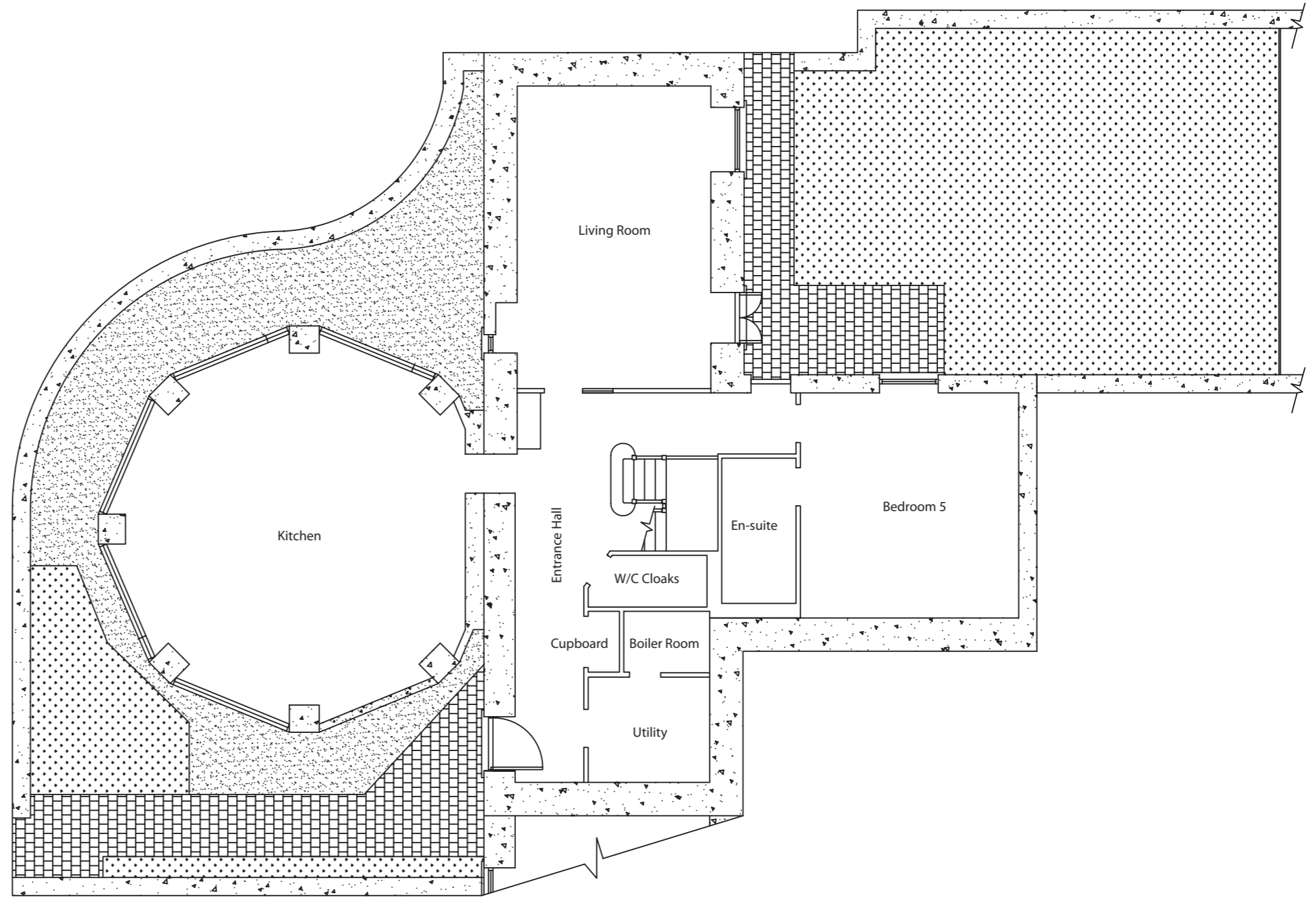
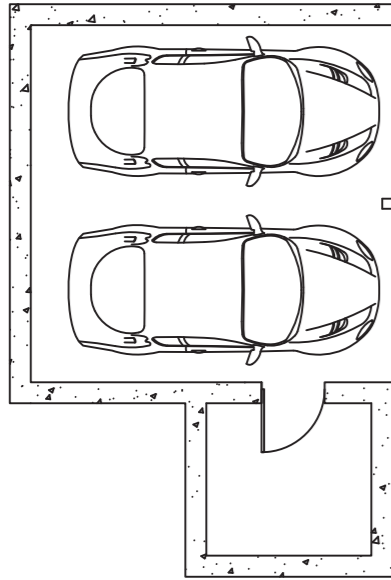
Living Room	6.7 m	4.3 m	Master Bedroom	4.2 m	4.4 m	Bedroom 3	5.1 m	3.0 m
Kitchen	7.8 m	7.8 m	Wardrobe	2.4 m	1.3 m	Bedroom 4	3.6 m	1.6 m
Boiler Room	1.4 m	1.9 m	En-Suite	2.4 m	1.9 m	House Bathroom	3.6 m	1.7 m
W/C Cloaks	1.1 m	2.6 m	Bedroom 2	3.9 m	4.4 m	Bedroom 5	5.1 m	4.8 m
Utility	2.3 m	2.7 m	En-Suite	1 m	2.7 m	En-Suite	3.2m	1.6 m



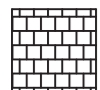
Barfleur House

Ground Floor

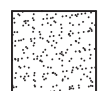
Internal Area 256 m² / 2755 sqft
 Exterior Area 164 m² / 1765 sqft



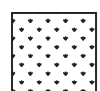
Exterior Stone Walls



Tegula Block Paving



Stone Gravel



Grass

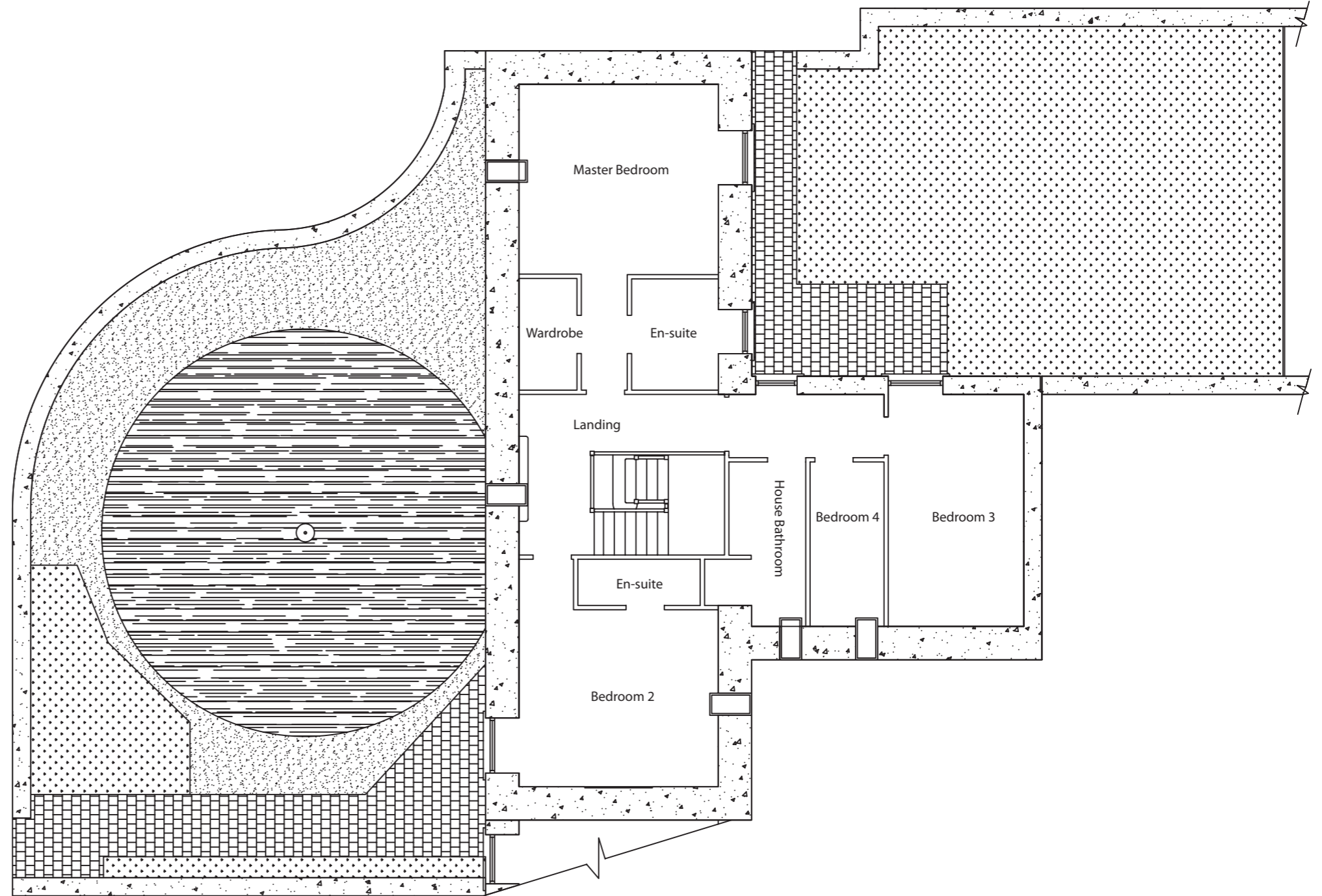
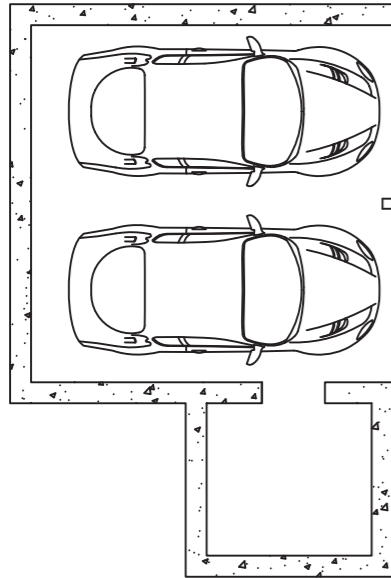
Living Room	6.7 m	4.3 m	Master Bedroom	4.2 m	4.4 m	Bedroom 3	5.1 m	3.0 m
Kitchen	7.8 m	7.8 m	Wardrobe	2.4 m	1.3 m	Bedroom 4	3.6 m	1.6 m
Boiler Room	1.4 m	1.9 m	En-Suite	2.4 m	1.9 m	House Bathroom	3.6 m	1.7 m
W/C Cloaks	1.1 m	2.6 m	Bedroom 2	3.9 m	4.4 m	Bedroom 5	5.1 m	4.8 m
Utility	2.3 m	2.7 m	En-Suite	1 m	2.7 m	En-Suite	3.2m	1.6 m



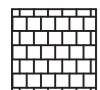
Barfleur House

First Floor

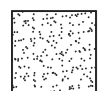
Internal Area 256 m² / 2755 sqft
 Exterior Area 164 m² / 1765 sqft



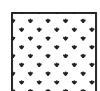
Exterior Stone Walls



Tegula Block Paving



Stone Gravel



Grass

Living Room	6.7 m	4.3 m	Master Bedroom	4.2 m	4.4 m	Bedroom 3	5.1 m	3.0 m
Kitchen	7.8 m	7.8 m	Wardrobe	2.4 m	1.3 m	Bedroom 4	3.6 m	1.6 m
Boiler Room	1.4 m	1.9 m	En-Suite	2.4 m	1.9 m	House Bathroom	3.6 m	1.7 m
W/C Cloaks	1.1 m	2.6 m	Bedroom 2	3.9 m	4.4 m	Bedroom 5	5.1 m	4.8 m
Utility	2.3 m	2.7 m	En-Suite	1 m	2.7 m	En-Suite	3.2m	1.6 m